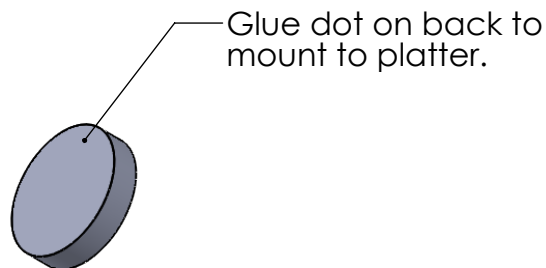
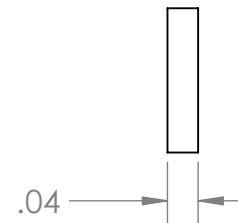
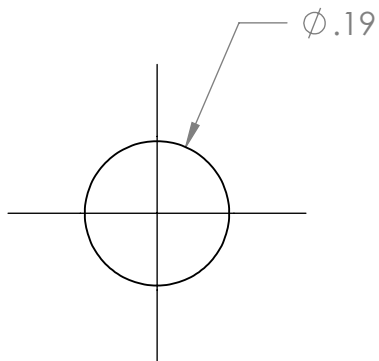


2

1

B

B



A

A

PROPRIETARY AND CONFIDENTIAL
 THE INFORMATION CONTAINED IN THIS
 DRAWING IS THE SOLE PROPERTY OF
 <INSERT COMPANY NAME HERE>. ANY
 REPRODUCTION IN PART OR AS A WHOLE
 WITHOUT THE WRITTEN PERMISSION OF
 <INSERT COMPANY NAME HERE> IS
 PROHIBITED.

		UNLESS OTHERWISE SPECIFIED:		NAME	DATE	TITLE: <h1>Roadrunner magnet</h1>				
		DIMENSIONS ARE IN INCHES	DRAWN	CG	2/17/20			SIZE <h1>A</h1>	DWG. NO.	
		TOLERANCES: FRACTIONAL ± ANGULAR: MACH ± BEND ± TWO PLACE DECIMAL ± THREE PLACE DECIMAL ±	CHECKED							REV
		INTERPRET GEOMETRIC TOLERANCING PER:	ENG APPR.					SCALE: 16:1 WEIGHT:	SHEET 1 OF 1	
		MATERIAL	MFG APPR.							
NEXT ASSY	USED ON	FINISH	Q.A.							
APPLICATION		DO NOT SCALE DRAWING	COMMENTS:							

2

1